



PicSight.com

G32B-PoCL

## Camera Link color camera

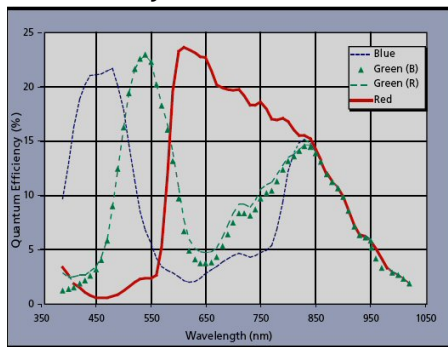
- 1/2 inch progressive scan CMOS
- 656 × 494 square pixels
- 196 fps, 10-bit image data
- high quality bayer decoder
- async reset, full frame shutter
- mini Camera Link connector
- power over Camera Link (PoCL)
- embedded real-time functions
- 12-bit data LUT





<b>1/2" CMOS Sensor</b>	<b>Micron MT9V403</b>
<b>Readout</b>	parallel readout
<b>Sensor size (H×V)</b>	6.52 × 4.89 mm
<b>Output image resolution (H×V)</b>	656 × 494 pixels
<b>Pixel size</b>	9.9 × 9.9 μm
<b>Color</b>	bayer pattern
<b>Scan</b>	progressive
<b>Frame rate</b>	196 frames/sec
<b>Shutter</b>	global
<b>Max. shutter time</b>	1300 ms
<b>Min. shutter time</b>	20 μs
<b>Lens mount</b>	C-mount

### Spectral sensitivity



### Interface

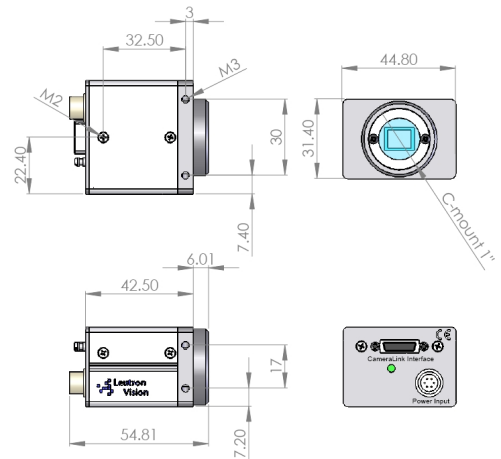
<b>Camera Link</b>	Base
<b>Connector</b>	SDR mini CL
<b>Status control</b>	Status LED
<b>Power</b>	10–15 V
<b>Weight</b>	90 g
<b>Operating temperature</b>	0–50 °C

### Embedded Realtime Function RTF

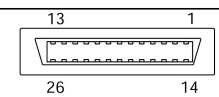
<b>Available</b>	12-bit data LUT
<b>Optional</b>	5×5 Bayer decoding 12-bit Bayer → 24-bit RGB
<b>Optional</b>	Color to monochrome conversion
<b>On request</b>	User functions

### Software

<b>Camera configuration Windows</b>	Standard Camera Link API
<b>Camera configuration Windows/Linux</b>	LV-SDS camera control API, Camera Editor
<b>Firmware update</b>	With Leutron FW update tool (Windows)

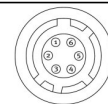


SDR 26-pin connector, female,  
3M:12226-100-00 SN79155-S



Pin	Signal	Pin	Signal
1	Power (PoCL)	14	Power return (PoCL)
2	Serial data 0 -	15	Serial data 0 +
3	Serial data 1 -	16	Serial data 1 +
4	Serial data 2 -	17	Serial data 2 +
5	Serial data Clock -	18	Serial data Clock +
6	Serial data 3 -	19	Serial data 3 +
7	Serial Communication to Camera +	20	Serial Communication to Camera -
8	Serial Communication to Grabber -	21	Serial Communication to Grabber +
9	CC1-	22	CC1+
10	CC2+	23	CC2-
11	CC3-	24	CC3+
12	CC4+	25	CC4-
13	Power return (PoCL)	26	Power (PoCL)

Hirose 6-pin connector, male,  
HR10A-7R-6PB-73



Pin	Signal
1, 2	Power Input
3, 4	Reserved
5, 6	Ground

### Ordering numbers

Number	Product name	Option
401052	PicSight G32B-PoCL	
401077	PicSight G32B-PoCL-RTF	Realtime function
999000	Mounting plate	For USB/CL cameras
16028	LV-SDS	Software API

**International headquarters Switzerland**  
Leutron Vision AG  
Industriestrasse 57  
CH-8152 Glattbrugg, Switzerland  
Phone ++41 44 809 88 22  
fax ++41 44 809 88 29  
intsales@leutron.com  
www.leutron.com

**Germany**  
Leutron Vision GmbH  
Macairestrasse 3  
D-78467 Konstanz, Germany  
Phone ++49 7531 5942 0  
fax ++49 7531 594299  
desales@leutron.com  
www.leutron-vision.de

**North America**  
Leutron Vision Inc.  
38 East Street  
Halifax, MA 02338, USA  
Phone: ++1 888 442 2269 x1  
Fax: ++1 781 353 3943  
ussales@leutron.com  
www.leutron.com/

