



PicSight.com

P32B-PoCL

## Camera Link color camera

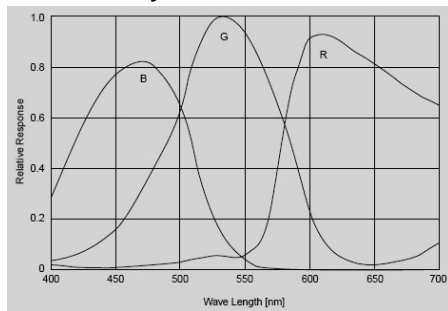
- 1/2 inch progressive scan CCD
- 656 × 494 square pixels
- 62 fps, 12-bit image data
- high quality bayer decoder
- async reset, full frame shutter
- mini Camera Link connector
- power over Camera Link (PoCL)
- embedded real-time functions
- 12-bit data LUT





|                                      |                    |
|--------------------------------------|--------------------|
| <b>1/2" CCD Sensor</b>               | <b>SONY ICX414</b> |
| <b>Readout</b>                       | interline transfer |
| <b>Sensor size (H×V)</b>             | 7.48 × 6.15 mm     |
| <b>Output image resolution (H×V)</b> | 656 × 494 pixels   |
| <b>Pixel size</b>                    | 9.9 × 9.9 μm       |
| <b>Color</b>                         | bayer pattern      |
| <b>Scan</b>                          | progressive        |
| <b>Frame rate</b>                    | 62 frames/sec      |
| <b>Shutter</b>                       | global             |
| <b>Max. shutter time</b>             | 20 ms              |
| <b>Min. shutter time</b>             | 10 μs              |
| <b>Lens mount</b>                    | C-mount            |

### Spectral sensitivity



### Interface

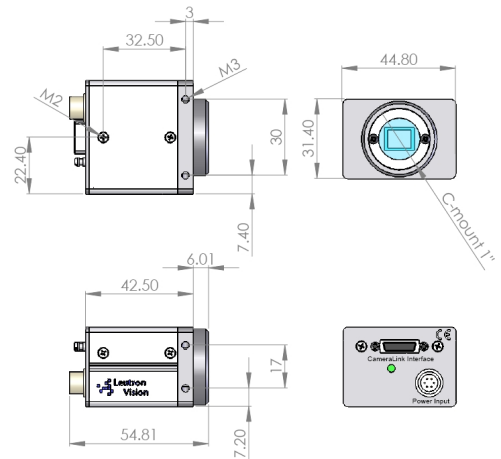
|                              |             |
|------------------------------|-------------|
| <b>Camera Link</b>           | Base        |
| <b>Connector</b>             | SDR mini CL |
| <b>Status control</b>        | Status LED  |
| <b>Power</b>                 | 10–15 V     |
| <b>Weight</b>                | 90 g        |
| <b>Operating temperature</b> | 0–50 °C     |

### Embedded Realtime Function RTF

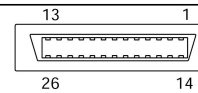
|                   |   |
|-------------------|---|
| <b>Available</b>  | 12-bit data LUT                                 |
| <b>Optional</b>   | 5×5 Bayer decoding<br>12-bit Bayer → 24-bit RGB |
| <b>Optional</b>   | Color to monochrome conversion                  |
| <b>On request</b> | User functions                                  |

### Software

|   |  |
|---|--|
| <b>Camera configuration Windows</b>       | Standard Camera Link API                 |
| <b>Camera configuration Windows/Linux</b> | LV-SDS camera control API, Camera Editor |
| <b>Firmware update</b>                    | With Leutron FW update tool (Windows)    |

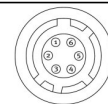


SDR 26-pin connector, female,  
3M:12226-100-00 SN79155-S



| Pin | Signal                            | Pin | Signal                            |
|-----|-----------------------------------|-----|-----------------------------------|
| 1   | Power (PoCL)                      | 14  | Power return (PoCL)               |
| 2   | Serial data 0 -                   | 15  | Serial data 0 +                   |
| 3   | Serial data 1 -                   | 16  | Serial data 1 +                   |
| 4   | Serial data 2 -                   | 17  | Serial data 2 +                   |
| 5   | Serial data Clock -               | 18  | Serial data Clock +               |
| 6   | Serial data 3 -                   | 19  | Serial data 3 +                   |
| 7   | Serial Communication to Camera +  | 20  | Serial Communication to Camera -  |
| 8   | Serial Communication to Grabber - | 21  | Serial Communication to Grabber + |
| 9   | CC1-                              | 22  | CC1+                              |
| 10  | CC2+                              | 23  | CC2-                              |
| 11  | CC3-                              | 24  | CC3+                              |
| 12  | CC4+                              | 25  | CC4-                              |
| 13  | Power return (PoCL)               | 26  | Power (PoCL)                      |

Hirose 6-pin connector, male,  
HR10A-7R-6PB-73



| Pin  | Signal      |
|------|-------------|
| 1, 2 | Power Input |
| 3, 4 | Reserved    |
| 5, 6 | Ground      |

### Ordering numbers

| Number | Product name           | Option             |
|--------|------------------------|--------------------|
| 121052 | PicSight P32B-PoCL     |                    |
| 121077 | PicSight P32B-PoCL-RTF | Realtime function  |
| 999000 | Mounting plate         | For USB/CL cameras |
| 16028  | LV-SDS                 | Software API       |

**International headquarters Switzerland**  
Leutron Vision AG  
Industriestrasse 57  
CH-8152 Glattbrugg, Switzerland  
Phone ++41 44 809 88 22  
fax ++41 44 809 88 29  
intsales@leutron.com  
www.leutron.com

**Germany**  
Leutron Vision GmbH  
Macairestrasse 3  
D-78467 Konstanz, Germany  
Phone ++49 7531 5942 0  
fax ++49 7531 594299  
desales@leutron.com  
www.leutron-vision.de

**North America**  
Leutron Vision Inc.  
38 East Street  
Halifax, MA 02338, USA  
Phone: ++1 888 442 2269 x1  
Fax: ++1 781 353 3943  
ussales@leutron.com  
www.leutron.com/

