



PicSight.com

P141B-GigE-AR

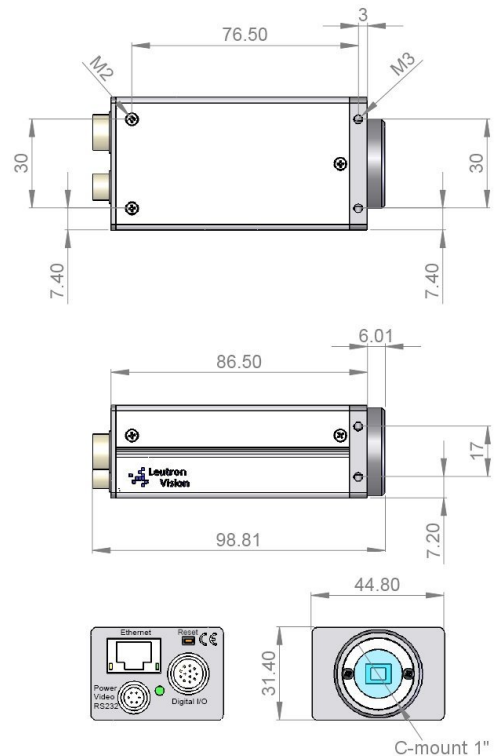
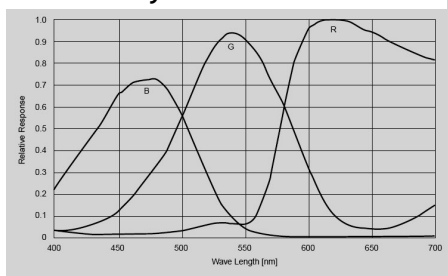
## GigE Vision color camera

- 2/3 inch progressive scan CCD
- 1392 × 1040 square pixels
- 20 fps, 12-bit image data
- high quality bayer decoder
- async reset, full frame shutter
- digital I/O's trigger-in, strobe out
- embedded real-time functions
- up to 100 m with CAT-5-cable





<b>2/3" CCD Sensor</b>	<b>SONY ICX285</b>
<b>Readout</b>	interline transfer
<b>Sensor size (H×V)</b>	10.2 × 8.3 mm
<b>Output image resolution (H×V)</b>	1392 × 1040 pixels
<b>Pixel size</b>	6.45 × 6.45 μm
<b>Color</b>	bayer pattern
<b>Scan</b>	progressive
<b>Frame rate</b>	20 frames/sec
<b>Shutter</b>	global
<b>Max. shutter time</b>	20 ms
<b>Min. shutter time</b>	10 μs
<b>Lens mount</b>	C-mount
<b>Optional lens mount</b>	90-degree C-mount
<b>Spectral sensitivity</b>	



<b>Interface</b>	
<b>Ethernet</b>	10/100/1000 Mbit/sec
<b>Memory</b>	16 MB
<b>Digital input</b>	2× Optocoupler, 1× TTL
<b>Digital output</b>	2× Optocoupler
<b>Power req. 12 V/6W</b>	<b>P141B-GigE (old version)</b>
<b>Power req. 10-26V/5W</b>	<b>P141B-GigE-AR</b>
<b>Weight</b>	145 g
<b>Operating temperature</b>	0–50 °C
<b>Optional Realtime Function</b>	
<b>Bayer decoder, Look up table</b>	P141B-GigE-AR-RTF table
<b>Host (PC) software</b>	
<b>GigE Vision</b>	Any GigE Vision API
<b>API LV-SDS</b>	C, C++, OCX, .Net
<b>Configuration</b>	Web interface
<b>Firmware update</b>	FTP

Hirose 12-pin connector, male, HR10A-10R-12PB-71		Hirose 6-pin connector, male, HR10A-7R-6PB-73	
<b>Pin</b>	<b>Signal</b>	<b>Pin</b>	<b>Signal</b>
1	Opto Output Tap	1	TXD Output
2	Opto Output Common Emitter	2	RXD Input
3	Opto Output Collector 0	3	Ground
4	Opto Output Collector 1	4	Reserved
5	Reserved, do not connect	5	Ground
6	Reserved, do not connect	6	Power Input
7	Power Input		
8	Opto Input 1		
9	Opto Input 0		
10	Opto Input Common		
11	Trigger Input TTL		
12	Ground		

Ordering numbers		
Number	Product name	Option
181200	PicSight P141B-GigE-AR	
181201	PicSight P141B-GigE-AR-H	90° lens mount
181300	PicSight P141B-GigE-AR-RTF	Realtime function
181301	PicSight P141B-GigE-AR-RTF-H	Realtime function and 90° lens mount
999010	Mounting plate	For GigE/Smart cameras
999020	Mounting plate	For GigE-H/Smart-H cameras
16028	LV-SDS	Software API

**International headquarters Switzerland**  
 Leutron Vision AG  
 Industriestrasse 57  
 CH-8152 Glattbrugg, Switzerland  
 Phone ++41 44 809 88 22  
 fax ++41 44 809 88 29  
 intsales@leutron.com  
[www.leutron.com](http://www.leutron.com)

**Germany**  
 Leutron Vision GmbH  
 Macairestrasse 3  
 D-78467 Konstanz, Germany  
 Phone ++49 7531 5942 0  
 fax ++49 7531 594299  
 desales@leutron.com  
[www.leutron-vision.de](http://www.leutron-vision.de)

**North America**  
 Leutron Vision Inc.  
 25 Mall Road – Suite 300  
 Burlington, MA 01803, USA  
 Phone: ++1 888 442 2269 x1  
 Fax: ++1 781 353 3943  
 ussales@leutron.com  
[www.leutron.com/us/](http://www.leutron.com/us/)

