



PicSight.com

P142B-GigE

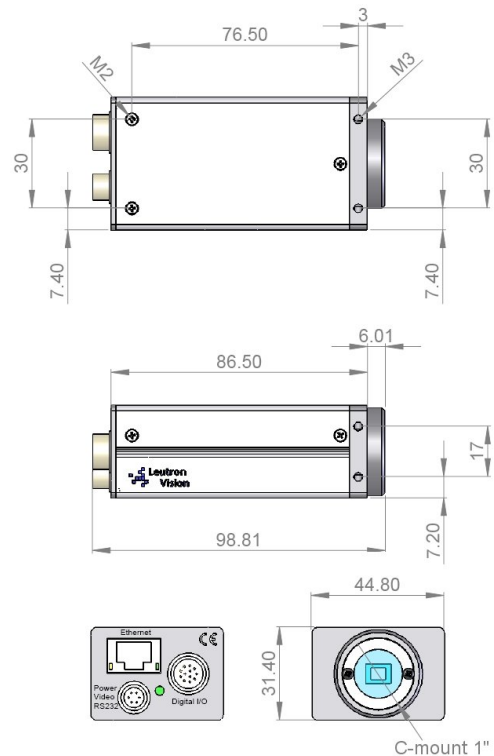
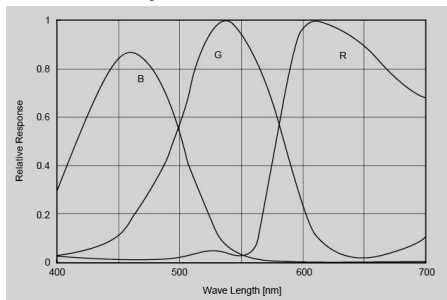
Gigabit Ethernet color Camera

- 1/2 inch progressive scan CCD
- 1392 × 1040 square pixels
- 8 fps, 12-bit image data
- high quality bayer decoder
- async reset, full frame shutter
- digital I/O's trigger-in, strobe out
- embedded real-time functions
- up to 100 m with CAT-5-cable





| | |
|--------------------------------------|--------------------|
| 1/2" CCD Sensor | SONY ICX205 |
| Readout | interline transfer |
| Sensor size (H×V) | 7.6 × 6.2 mm |
| Output image resolution (H×V) | 1392 × 1040 pixels |
| Pixel size | 4.65 × 4.65 μm |
| Color | bayer pattern |
| Scan | progressive |
| Frame rate | 8 frames/sec |
| Shutter | global |
| Max. shutter time | 20 ms |
| Min. shutter time | 10 μs |
| Lens mount | C-mount |
| Optional lens mount | 90-degree C-mount |
| Spectral sensitivity | |



| | |
|---|--|
| Interface | |
| Ethernet | 10/100/1000 Mbit/sec |
| Memory | 16 MB Framestore |
| Status control | Status LED |
| Digital input (for trigger or status input) | 2× Optocoupler, 1× TTL |
| Digital output (for strobe or status output) | 2× Optocoupler |
| Power input | P142B-GigE-Ax: 10-26 V P142B-GigE: 12 V |
| Power consumption | 6 W |
| Weight | 133 g |
| Operating temperature | 0–50 °C |
| Embedded Realtime Function RTF | |
| Optional | Bayer decoding |
| On request | User functions |
| Host (PC) software | |
| API LV-SDS | C, C++, OCX, .Net |
| 3rd party | Halcon, AVT, Twain, NeuroCheck, Vfw |
| Configuration | Web interface |
| Firmware update | FTP |

| | | | |
|--|----------------------------|---|---------------|
| Hirose 12-pin connector, male, HR10A-10R-12PB-71 | | Hirose 6-pin connector, male, HR10A-7R-6PB-73 | |
| | | | |
| Pin | Signal | Pin | Signal |
| 1 | Opto Output Tap | 1 | TXD Output |
| 2 | Opto Output Common Emitter | 2 | RXD Input |
| 3 | Opto Output Collector 0 | 3 | Ground |
| 4 | Opto Output Collector 1 | 4 | Reserved |
| 5 | Reserved, do not connect | 5 | Ground |
| 6 | Reserved, do not connect | 6 | Power Input |
| 7 | Power Input | | |
| 8 | Opto Input 1 | | |
| 9 | Opto Input 0 | | |
| 10 | Opto Input Common | | |
| 11 | Trigger Input TTL | | |
| 12 | Ground | | |

| | | |
|-------------------------|---------------------------|--------------------------------------|
| Ordering numbers | | |
| Number | Product name | Option |
| 161100 | PicSight P142B-GigE | |
| 161105 | PicSight P142B-GigE-H | 90° lens mount |
| 161125 | PicSight P142B-GigE-RTF | Realtime function |
| 161130 | PicSight P142B-GigE-RTF-H | Realtime function and 90° lens mount |
| 81005901 | Tripod | Mounting plate for camera |
| 16028 | LV-SDS | Software API |

International headquarters Switzerland
 Leutron Vision AG
 Industriestrasse 57
 CH-8152 Glattbrugg, Switzerland
 Phone ++41 44 809 88 22
 fax ++41 44 809 88 29
 intsales@leutron.com
www.leutron.com

Germany
 Leutron Vision GmbH
 Macairestrasse 3
 D-78467 Konstanz, Germany
 Phone ++49 7531 5942 0
 fax ++49 7531 594299
 desales@leutron.com
www.leutron-vision.de

North America
 Leutron Vision Inc.
 25 Mall Road – Suite 300
 Burlington, MA 01803, USA
 Phone: ++1 888 442 2269 x1
 Fax: ++1 781 353 3943
 ussales@leutron.com
www.leutron.com/us/

