



PicSight.com

P142M-GigE

Gigabit Ethernet monochrome Camera

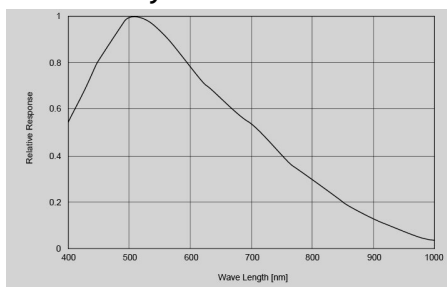
- 1/2 inch progressive scan CCD
- 1392 × 1040 square pixels
- 8 fps, 12-bit image data
- high sensitivity
- async reset, full frame shutter
- digital I/O's trigger-in, strobe out
- embedded real-time functions
- up to 100 m with CAT-5-cable





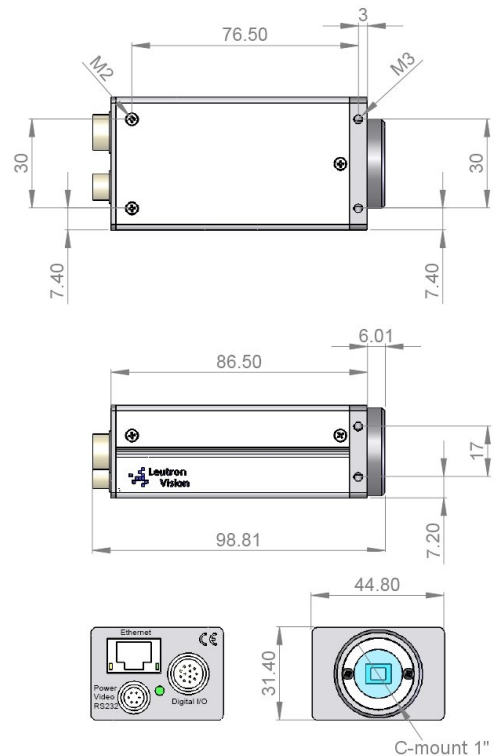
1/2" CCD Sensor	SONY ICX205
Readout	interline transfer
Sensor size (H×V)	7.6 × 6.2 mm
Output image resolution (H×V)	1392 × 1040 pixels
Pixel size	4.65 × 4.65 μm
Color	monochrome
Scan	progressive
Frame rate	8 frames/sec
Shutter	global
Max. shutter time	20 ms
Min. shutter time	10 μs
Lens mount	C-mount
Optional lens mount	90-degree C-mount

Spectral sensitivity



Interface

Ethernet	10/100/1000 Mbit/sec
Memory	16 MB Framestore
Status control	Status LED
Digital input (for trigger or status input)	2× Optocoupler, 1× TTL
Digital output (for strobe or status output)	2× Optocoupler
Power input	P142M-GigE-Ax: 10-26 V P142M-GigE: 12 V
Power consumption	6 W
Weight	133 g
Operating temperature	0–50 °C
Embedded Realtime Function RTF	
Optional	Bayer decoding
On request	User functions
Host (PC) software	
API LV-SDS	C, C++, OCX, .Net
3rd party	Halcon, AVT, Twain, NeuroCheck, Vfw
Configuration	Web interface
Firmware update	FTP



Hirose 12-pin connector, male, HR10A-10R-12PB-71		Hirose 6-pin connector, male, HR10A-7R-6PB-73	
Pin	Signal	Pin	Signal
1	Opto Output Tap	1	TXD Output
2	Opto Output Common Emitter	2	RXD Input
3	Opto Output Collector 0	3	Ground
4	Opto Output Collector 1	4	Reserved
5	Reserved, do not connect	5	Ground
6	Reserved, do not connect	6	Power Input
7	Power Input		
8	Opto Input 1		
9	Opto Input 0		
10	Opto Input Common		
11	Trigger Input TTL		
12	Ground		

Ordering numbers

Number	Product name	Option
160100	PicSight P142M-GigE	
160105	PicSight P142M-GigE-H	90° lens mount
160125	PicSight P142M-GigE-RTF	Realtime function
160130	PicSight P142M-GigE-RTF-H	Realtime function and 90° lens mount
81005901	Tripod	Mounting plate for camera
16028	LV-SDS	Software API

International headquarters Switzerland
 Leutron Vision AG
 Industriestrasse 57
 CH-8152 Glattbrugg, Switzerland
 Phone ++41 44 809 88 22
 fax ++41 44 809 88 29
 intsales@leutron.com
www.leutron.com

Germany
 Leutron Vision GmbH
 Macairestrasse 3
 D-78467 Konstanz, Germany
 Phone ++49 7531 5942 0
 fax ++49 7531 594299
 desales@leutron.com
www.leutron-vision.de

North America
 Leutron Vision Inc.
 25 Mall Road – Suite 300
 Burlington, MA 01803, USA
 Phone: ++1 888 442 2269 x1
 Fax: ++1 781 353 3943
 ussales@leutron.com
www.leutron.com/us/

