



PicSight.com

P33B-GigE-AR

GigE Vision color camera

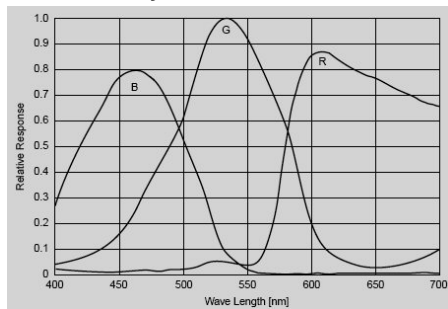
- 1/3 inch progressive scan CCD
- 656 × 494 square pixels
- 62 fps, 12-bit image data
- high quality bayer decoder
- async reset, full frame shutter
- digital I/O's trigger-in, strobe out
- embedded real-time functions
- up to 100 m with CAT-5-cable





1/3" CCD Sensor	SONY ICX424
Readout	interline transfer
Sensor size (H×V)	5.79 × 4.89 mm
Output image resolution (H×V)	656 × 494 pixels
Pixel size	7.4 × 7.4 μm
Color	bayer pattern
Scan	progressive
Frame rate	62 frames/sec
Shutter	global
Max. shutter time	20 ms
Min. shutter time	10 μs
Lens mount	C-mount
Optional lens mount	90-degree C-mount

Spectral sensitivity



Interface

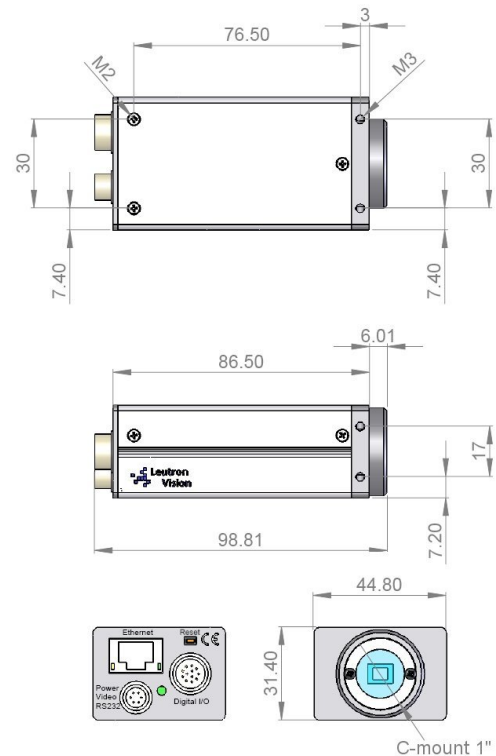
Ethernet	10/100/1000 Mbit/sec
Memory	16 MB
Digital input	2× Optocoupler, 1× TTL
Digital output	2× Optocoupler
Power req. 12 V/6W	P33B-GigE (old version)
Power req. 10-26V/5W	P33B-GigE-AR
Weight	145 g
Operating temperature	0–50 °C

Optional Realtime Function

Bayer decoder, Look up table	P33B-GigE-AR-RTF
-------------------------------------	------------------

Host (PC) software

GigE Vision	Any GigE Vision API
API LV-SDS	C, C++, OCX, .Net
Configuration	Web interface
Firmware update	FTP



Hirose 12-pin connector, male, HR10A-10R-12PB-71		Hirose 6-pin connector, male, HR10A-7R-6PB-73	
Pin	Signal	Pin	Signal
1	Opto Output Tap	1	TXD Output
2	Opto Output Common Emitter	2	RXD Input
3	Opto Output Collector 0	3	Ground
4	Opto Output Collector 1	4	Reserved
5	Reserved, do not connect	5	Ground
6	Reserved, do not connect	6	Power Input
7	Power Input		
8	Opto Input 1		
9	Opto Input 0		
10	Opto Input Common		
11	Trigger Input TTL		
12	Ground		

Ordering numbers

Number	Product name	Option
111200	PicSight P33B-GigE-AR	
111201	PicSight P33B-GigE-AR-H	90° lens mount
111300	PicSight P33B-GigE-AR-RTF	Realtime function
111301	PicSight P33B-GigE-AR-RTF-H	Realtime function and 90° lens mount
999010	Mounting plate	For GigE/Smart cameras
999020	Mounting plate	For GigE-H/Smart-H cameras
16028	LV-SDS	Software API

International headquarters Switzerland
 Leutron Vision AG
 Industriestrasse 57
 CH-8152 Glattbrugg, Switzerland
 Phone ++41 44 809 88 22
 fax ++41 44 809 88 29
 intsales@leutron.com
www.leutron.com

Germany
 Leutron Vision GmbH
 Macairestrasse 3
 D-78467 Konstanz, Germany
 Phone ++49 7531 5942 0
 fax ++49 7531 594299
 desales@leutron.com
www.leutron-vision.de

North America
 Leutron Vision Inc.
 25 Mall Road – Suite 300
 Burlington, MA 01803, USA
 Phone: ++1 888 442 2269 x1
 Fax: ++1 781 353 3943
 ussales@leutron.com
www.leutron.com/us/

