



PicSight.com

P34M-Smartx02-AR

## Smart GigE monochrome camera

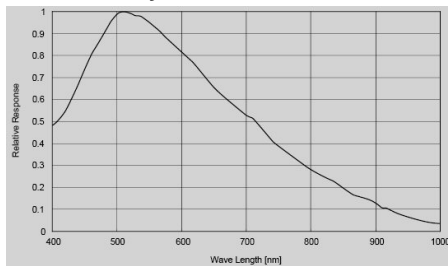
- 1/4 inch progressive scan CCD
- 656 × 494 square pixels
- 64 fps, 12-bit image data
- high sensitivity
- async reset, full frame shutter
- trigger in, strobe out, video out (CVBS)
- 32-bit RISC processor
- real-time operating system





<b>1/4" CCD Sensor</b>	<b>SONY ICX098</b>
<b>Readout</b>	interline transfer
<b>Sensor size (H×V)</b>	4.6 × 3.97 mm
<b>Output image resolution (H×V)</b>	656 × 494 pixels
<b>Pixel size</b>	5.6 × 5.6 μm
<b>Color</b>	monochrome
<b>Scan</b>	progressive
<b>Frame rate</b>	64 frames/sec
<b>Shutter</b>	global
<b>Max. shutter time</b>	20 ms
<b>Min. shutter time</b>	10 μs
<b>Lens mount</b>	C-mount
<b>Optional lens mount</b>	90-degree C-mount

**Spectral sensitivity**



**Interface**

<b>Ethernet</b>	10/100/1000 Mbit/sec
<b>Processor — P34M-Smart502-AR</b>	PNX0192/300MHz 64MB RAM, 32MB Flash
<b>Processor — P34M-Smart702-AR</b>	PNX1702/500MHz, Hardware FPU 256MB RAM, 64MB Flash
<b>Digital input</b>	2× Optocoupler, 1× TTL
<b>Digital output</b>	3× Optocoupler, 1× TTL
<b>Power req. 12 V/6W</b>	<b>P34M-Smart (old version)</b>
<b>Power req. 10-26V/5W</b>	<b>P34M-Smartx02-AR</b>
<b>Weight</b>	145 g
<b>Operating temperature</b>	0–50 °C

**Realtime function**

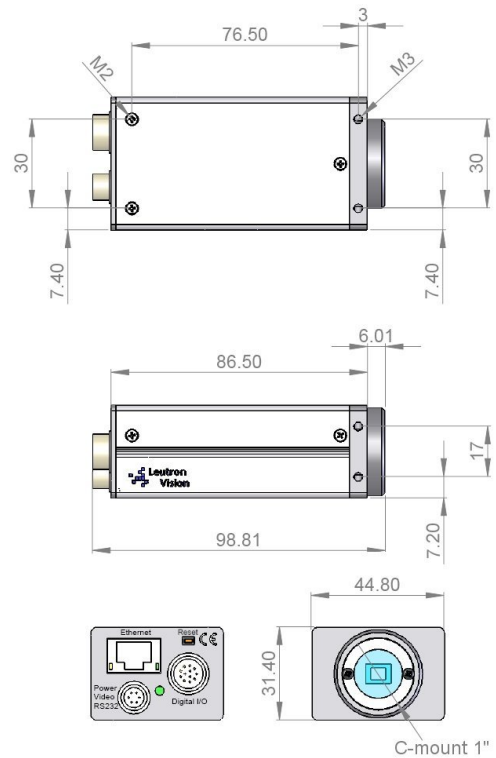
<b>FPGA XC3S500E</b>	Look up table
----------------------	---------------

**Embedded software**

<b>Compiler/OS</b>	C, C++/Real-time OS
--------------------	---------------------

**Host (PC) software**

<b>GigE Vision</b>	Any GigE Vision API
<b>API LV-SDS</b>	C, C++, OCX, .Net
<b>Configuration</b>	Web interface
<b>Application upload</b>	FTP



Hirose 12-pin connector, male, HR10A-10R-12PB-71		Hirose 6-pin connector, male, HR10A-7R-6PB-73	
<b>Pin</b>	<b>Signal</b>	<b>Pin</b>	<b>Signal</b>
1	Opto Output Tap	1	TXD Output
2	Opto Output Common Emitter	2	RXD Input
3	Opto Output Collector 0	3	Ground
4	Opto Output Collector 1	4	Video Out (CVBS)
5	Opto Output Collector 2	5	Ground
6	P34M-Smart-Ax: TTL output, P34M-Smart: Opto Output Collector 3	6	Power Input
7	Power Input		
8	Opto Input 1		
9	Opto Input 0		
10	Opto Input Common		
11	Trigger Input TTL		
12	Ground		

**Ordering numbers**

Number	Product name	Option
100650	PicSight P34M-Smart702-AR	
100651	PicSight P34M-Smart702-AR-H	90° lens mount
100600	PicSight P34M-Smart502-AR	
100601	PicSight P34M-Smart502-AR-H	90° lens mount
999010	Mounting plate	For GigE/Smart cameras
999020	Mounting plate	For GigE-H/Smart-H cameras
16028	LV-SDS	Software API

**International headquarters Switzerland**  
 Leutron Vision AG  
 Industriestrasse 57  
 CH-8152 Glattbrugg, Switzerland  
 Phone ++41 44 809 88 22  
 fax ++41 44 809 88 29  
 intsales@leutron.com  
[www.leutron.com](http://www.leutron.com)

**Germany**  
 Leutron Vision GmbH  
 Macairestrasse 3  
 D-78467 Konstanz, Germany  
 Phone ++49 7531 5942 0  
 fax ++49 7531 594299  
 desales@leutron.com  
[www.leutron-vision.de](http://www.leutron-vision.de)

**North America**  
 Leutron Vision Inc.  
 25 Mall Road – Suite 300  
 Burlington, MA 01803, USA  
 Phone: ++1 888 442 2269 x1  
 Fax: ++1 781 353 3943  
 ussales@leutron.com  
[www.leutron.com/us/](http://www.leutron.com/us/)

