



PicSight.com

R492B-Smartx02-AR

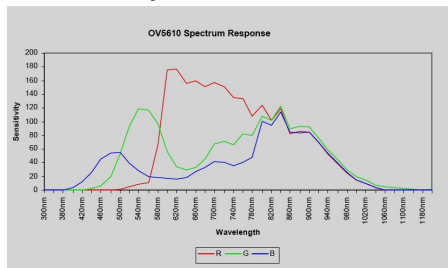
Smart GigE color camera

- 1/1.8 inch progressive scan CMOS
- 2542 × 1944 square pixels
- 2 fps, 10-bit image data
- high quality bayer decoder
- rolling shutter
- trigger in, strobe out, video out (CVBS)
- 32-bit RISC processor
- real-time operating system





<b>1/1.8" CMOS Sensor</b>	<b>OmniVision OV5610</b>
<b>Readout</b>	sequential readout
<b>Sensor size (HxV)</b>	7.05 x 5.39 mm
<b>Output image resolution (HxV)</b>	2542 x 1944 pixels
<b>Pixel size</b>	2.775 x 2.775 μm
<b>Color</b>	bayer pattern
<b>Scan</b>	progressive
<b>Frame rate</b>	2 frames/sec
<b>Shutter</b>	rolling
<b>Lens mount</b>	C-mount
<b>Optional lens mount</b>	90-degree C-mount
<b>Spectral sensitivity</b>	

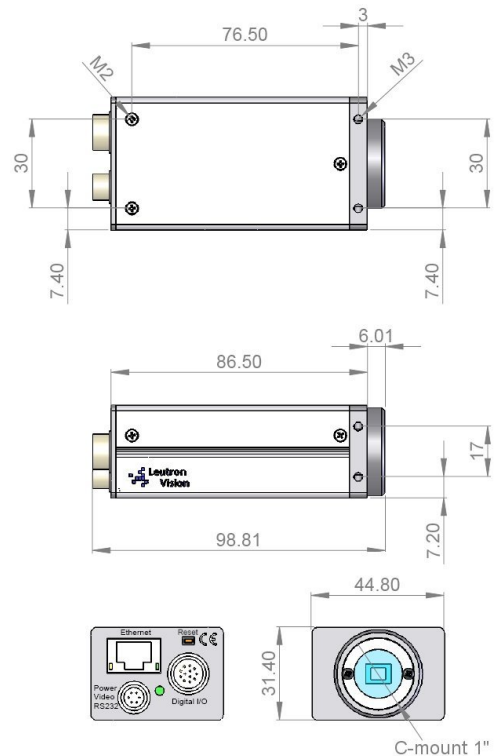


<b>Interface</b>	
<b>Ethernet</b>	10/100/1000 Mbit/sec
<b>Processor — R492B-Smart502-AR</b>	PNX0192/300MHz 64MB RAM, 32MB Flash
<b>Processor — R492B-Smart702-AR</b>	PNX1702/500MHz, Hardware FPU 256MB RAM, 64MB Flash
<b>Digital input</b>	2x Optocoupler, 1x TTL
<b>Digital output</b>	3x Optocoupler, 1x TTL
<b>Power req. 12 V/6W</b>	R492B-Smart (old version)
<b>Power req. 10-26V/5W</b>	R492B-Smartx02-AR
<b>Weight</b>	145 g
<b>Operating temperature</b>	0–50 °C

<b>Realtime function</b>	
<b>FPGA XC3S500E</b>	Bayer decoder, Look up table

<b>Embedded software</b>	
<b>Compiler/OS</b>	C, C++/Real-time OS

<b>Host (PC) software</b>	
<b>GigE Vision</b>	Any GigE Vision API
<b>API LV-SDS</b>	C, C++, OCX, .Net
<b>Configuration</b>	Web interface
<b>Application upload</b>	FTP



Hirose 12-pin connector, male, HR10A-10R-12PB-71		Hirose 6-pin connector, male, HR10A-7R-6PB-73	
<b>Pin</b>	<b>Signal</b>	<b>Pin</b>	<b>Signal</b>
1	Opto Output Tap	1	TXD Output
2	Opto Output Common Emitter	2	RXD Input
3	Opto Output Collector 0	3	Ground
4	Opto Output Collector 1	4	Video Out (CVBS)
5	Opto Output Collector 2	5	Ground
6	R492B-Smart-Ax: TTL output, R492B-Smart: Opto Output Collector 3	6	Power Input
7	Power Input		
8	Opto Input 1		
9	Opto Input 0		
10	Opto Input Common		
11	Trigger Input TTL		
12	Ground		

<b>Ordering numbers</b>		
<b>Number</b>	<b>Product name</b>	<b>Option</b>
551650	PicSight R492B-Smart702-AR	
551651	PicSight R492B-Smart702-AR-H	90° lens mount
100600	PicSight R492B-Smart502-AR	
100601	PicSight R492B-Smart502-AR-H	90° lens mount
999010	Mounting plate	For GigE/Smart cameras
999020	Mounting plate	For GigE-H/Smart-H cameras
16028	LV-SDS	Software API

**International headquarters Switzerland**  
 Leutron Vision AG  
 Industriestrasse 57  
 CH-8152 Glattbrugg, Switzerland  
 Phone ++41 44 809 88 22  
 fax ++41 44 809 88 29  
 intsales@leutron.com  
 www.leutron.com

**Germany**  
 Leutron Vision GmbH  
 Macairestrasse 3  
 D-78467 Konstanz, Germany  
 Phone ++49 7531 5942 0  
 fax ++49 7531 594299  
 desales@leutron.com  
 www.leutron-vision.de

**North America**  
 Leutron Vision Inc.  
 38 East Street  
 Halifax, MA 02338, USA  
 Phone: ++1 888 442 2269 x1  
 Fax: ++1 781 353 3943  
 ussales@leutron.com  
 www.leutron.com/

