



PicSight.com

T33I-Smart

## Smart GigE monochrome Camera

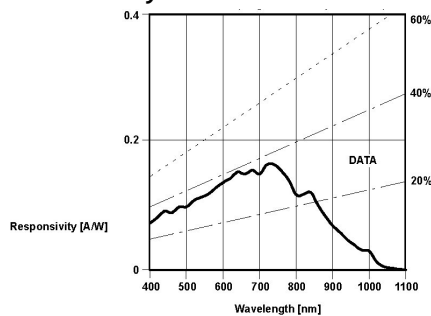
- 1/3 inch progressive scan CCD
- 640 × 494 square pixels
- 31 fps, 12-bit image data
- infrared sensitivity
- async reset, full frame shutter
- trigger in, strobe out, video out (CVBS)
- 32-bit RISC processor
- real-time operating system





<b>1/3" CCD Sensor</b>	<b>TI TC237B</b>
<b>Readout</b>	frame transfer
<b>Sensor size (H×V)</b>	4.9 × 3.8 mm
<b>Output image resolution (H×V)</b>	640 × 494 pixels
<b>Pixel size</b>	7.4 × 7.4 μm
<b>Color</b>	infrared
<b>Scan</b>	progressive
<b>Frame rate</b>	31 frames/sec
<b>Shutter</b>	global
<b>Max. shutter time</b>	20 ms
<b>Min. shutter time</b>	20 μs
<b>Lens mount</b>	C-mount
<b>Optional lens mount</b>	90-degree C-mount

### Spectral sensitivity

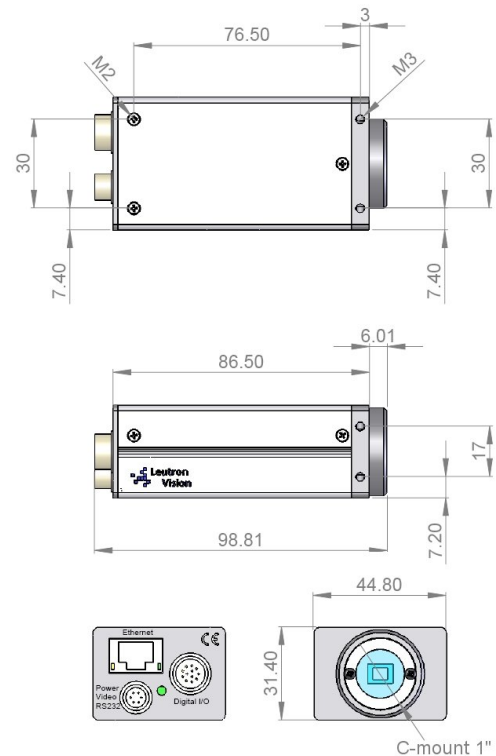


### Interface

<b>Ethernet</b>	10/100/1000 Mbit/sec
<b>Memory</b>	64 MB DDR-SDRAM, 32 MB Flash
<b>Status control</b>	Status LED
<b>Digital input</b>	2× Optocoupler, 1× TTL
<b>Digital output</b>	4× Optocoupler
<b>Power input</b>	T33I-Smart-Ax: 10-26 V T33I-Smart: <b>12 V</b>
<b>Power consumption</b>	6 W
<b>Weight</b>	133 g
<b>Operating temperature</b>	0–50 °C

### Embedded software

<b>API</b>	Image acquisition, camera & video out control, file system, GigE/RS232 comm, drawing library
<b>Compiler/OS</b>	C, C++/Real-time OS
<b>Host (PC) software</b>	
<b>API LV-SDS</b>	C, C++, OCX, .Net
<b>3rd party</b>	Halcon, AVT, Twain, NeuroCheck, VfW
<b>Configuration</b>	Web interface
<b>Firmware update</b>	FTP



Hirose 12-pin connector, male, HR10A-10R-12PB-71		Hirose 6-pin connector, male, HR10A-7R-6PB-73	
<b>Pin</b>	<b>Signal</b>	<b>Pin</b>	<b>Signal</b>
1	Opto Output Tap	1	TXD Output
2	Opto Output Common Emitter	2	RXD Input
3	Opto Output Collector 0	3	Ground
4	Opto Output Collector 1	4	Video Out (CVBS)
5	Opto Output Collector 2	5	Ground
6	T33I-Smart-Ax: <b>TTL output</b> , T33I-Smart: Opto Output Collector 3	6	Power Input
7	Power Input		
8	Opto Input 1		
9	Opto Input 0		
10	Opto Input Common		
11	Trigger Input TTL		
12	Ground		

### Ordering numbers

Number	Product name	Option
700500	PicSight T33I-GigE-Smart501	
81005901	Tripod	Mounting plate for camera
16028	LV-SDS	Software API

**International headquarters Switzerland**  
 Leutron Vision AG  
 Industriestrasse 57  
 CH-8152 Glattbrugg, Switzerland  
 Phone ++41 44 809 88 22  
 fax ++41 44 809 88 29  
 intsales@leutron.com  
[www.leutron.com](http://www.leutron.com)

**Germany**  
 Leutron Vision GmbH  
 Macairestrasse 3  
 D-78467 Konstanz, Germany  
 Phone ++49 7531 5942 0  
 fax ++49 7531 594299  
 desales@leutron.com  
[www.leutron-vision.de](http://www.leutron-vision.de)

**North America**  
 Leutron Vision Inc.  
 25 Mall Road – Suite 300  
 Burlington, MA 01803, USA  
 Phone: ++1 888 442 2269 x1  
 Fax: ++1 781 353 3943  
 ussales@leutron.com  
[www.leutron.com/us/](http://www.leutron.com/us/)

