



PicSight.com

P83M-USB2

USB 2.0 monochrome camera

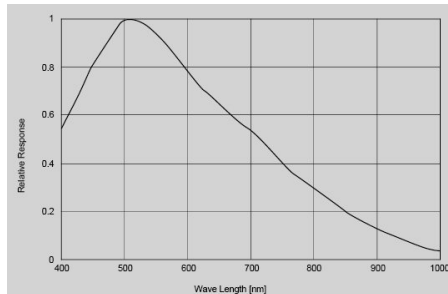
- 1/3 inch progressive scan CCD
- 1032 × 779 square pixels
- up to 32 fps
- high sensitivity
- async reset, full frame shutter
- digital I/O's trigger-in, strobe-out
- 16 MB frame store built-in





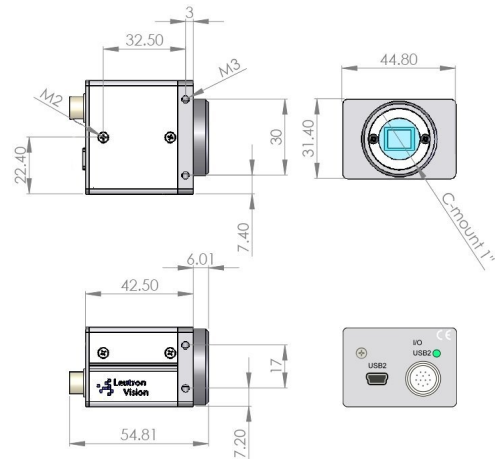
| | |
|--|--------------------|
| 1/3" CCD Sensor | SONY ICX204 |
| Readout | interline transfer |
| Sensor size (H×V) | 5.8 × 4.92 mm |
| Output image resolution (H×V) | 1032 × 779 pixels |
| Pixel size | 4.65 × 4.65 μm |
| Color | monochrome |
| Scan | progressive |
| Max frame rate to camera memory | 32 frames/sec |
| Sustained frame rate to PC | 32 frames/sec |
| Shutter | global |
| Max. shutter time | 20 ms |
| Min. shutter time | 10 μs |
| Lens mount | C-mount |

Spectral sensitivity



Interface

| | |
|------------------------------|---------------------------------------|
| USB | 2.0 |
| Memory | 16 MB Framestore |
| Connector | USB mini-B connector |
| Status control | Status LED |
| Power | 5 V, USB powered, 2.5 W |
| Weight | 90 g |
| Operating temperature | 0–50 °C |
| Software | |
| Camera configuration | LV-SDS camera control |
| Windows/Linux | API, Camera Editor |
| Firmware update | With Leutron FW update tool (Windows) |



Hirose 12-pin connector, male, HR10A-10R- 12PB-71



| Pin | Signal |
|-----|----------------------------------|
| 1 | Opto Output Bias Voltage (5–24V) |
| 2 | Opto Output Common Emitter |
| 3 | Opto Output Collector 0 |
| 4 | Opto Output Collector 1 |
| 5 | USB signal + |
| 6 | USB signal - |
| 7 | Power input +5V |
| 8 | Opto Input 1 (5–24V) |
| 9 | Opto Input 0 (5–24V) |
| 10 | Opto Input Common |
| 11 | Trigger Input TTL |
| 12 | Ground |

Ordering numbers

| Number | Product name | Option |
|--------|----------------------|--------------------|
| 140150 | PicSight P83M-USB2 | |
| 140152 | PicSight P83M-USB2-R | |
| 999000 | Mounting plate | For USB/CL cameras |
| 16028 | LV-SDS | Software API |

International headquarters Switzerland
 Leutron Vision AG
 Industriestrasse 57
 CH-8152 Glattbrugg, Switzerland
 Phone ++41 44 809 88 22
 fax ++41 44 809 88 29
 intsales@leutron.com
www.leutron.com

Germany
 Leutron Vision GmbH
 Macairestrasse 3
 D-78467 Konstanz, Germany
 Phone ++49 7531 5942 0
 fax ++49 7531 594299
 desales@leutron.com
www.leutron-vision.de

North America
 Leutron Vision Inc.
 38 East Street
 Halifax, MA 02338, USA
 Phone: ++1 888 442 2269 x1
 Fax: ++1 781 353 3943
 ussales@leutron.com
www.leutron.com/

